



Ultraframe[®]
Transforming light and space

A Complete Guide to Ultraframe Products & Customer Support



People

Our people are our strength. We value personal ownership, enterprise, creativity and openness and help our people to become the best they can be.



Premium Service

We aim to delight our customers and be a positive contributor to their success.



Innovation

Our goal is to provide high impact products and reliable solutions, which exceed the needs of our customers and consumers.



Integrity

We always do the right thing and treat others as we would like to be treated. We place trust in each other and respect and support one another.



Customer First

Our customers are at the centre of our strategy and the guiding force in all we do.



Total Quality

We promote an environment of continuous improvement in every area of our business.

A reliable partner for mutual growth

For over 40 years, Ultraframe has been committed to providing our customers with the very best products and services to help them grow and flourish. We offer a full range of glass and solid roofs for extensions, orangeries, conservatories, and conservatory conversions, and now, with our new lightweight hup! building system, our customers can also quickly construct high performance walls for these projects too.

With hup! it is easy to create the highest performing extensions, often with better energy performance than the existing house.

While our customers continue to offer replacement conservatory roofs, there is a new and much bigger opportunity, to upgrade existing conservatories into no-compromise Building Regulation compliant extensions. These can be completed in only a few days on the existing base, with costs not much different to replacing a conservatory roof and windows only.

As homeowners demand more complex builds and projects have become longer, we designed the hup! system to help overcome some of the associated

challenges experienced by installers, making project management easy and build speeds rapid.

At Ultraframe, we continuously strive to provide high-innovation, premium quality products that exceed the needs and expectations of our customers and the homeowners they serve. The support we provide that enables our customers to market, sell and install them is just as important, and so our extensive marketing support and site support services are detailed within this brochure too.

We aim to delight our customers and be a positive contributor to their success and with our longstanding heritage, we are without doubt, a safe pair of hands to partner with.

Our Values

People | Integrity | Premium Service | Customer First | Innovation | Total Quality

Contents



- Every roof engineered to postcode
- Fully BBA approved
- Chambered PVCu or aluminium top caps
- Can withstand winds up to 130mph
- Any size, shape, and colour, pitches from 2.5° to 40.9°
- Slimline radius end option
- Patented speedlocks ensure fast fit
- Super-strong jack rafters

Glass Roof

The Ultraframe Glass Roof is the UK's most loved conservatory roof system and has been engineered and continuously enhanced to exceed current Building Regulations and technology standards for around 40 years.

Highly configurable, highly reliable high quality.



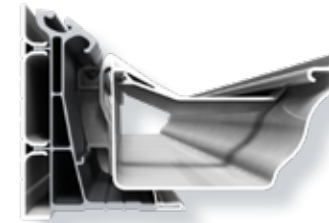
Glassroof

By Ultraframe



Eaves Beam

Ultraframe offers a wide range of beam reinforcements to prevent deflection on the roof, allowing doors to move freely.



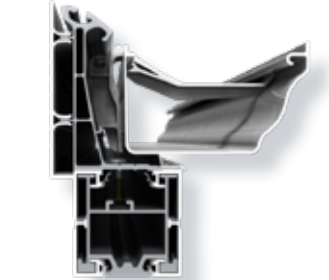
Standard Eaves



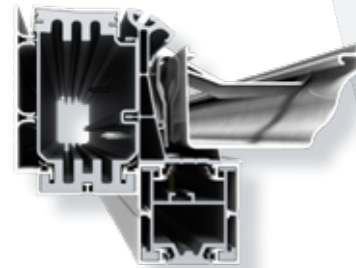
Combined Bolstered Eaves



Super Duty Eaves



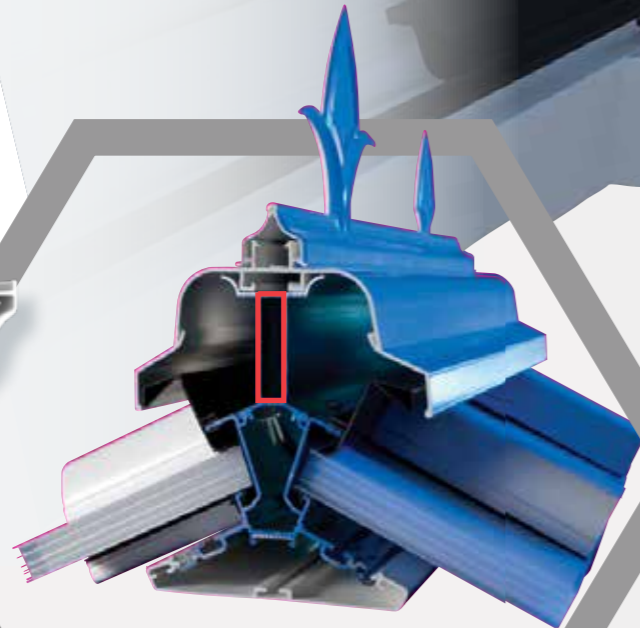
Bi-fold Support Beam



Eaves Super Bolster

Jack Rafter

Triple fixing of sleeved tenon provides robust performance, while joint design resists both positive and negative loadings.



Ridge showing bolster area of TBRK

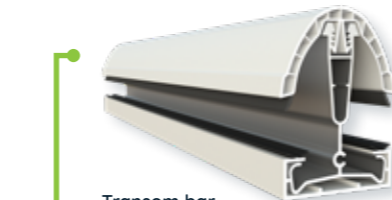
Tie Bar Replacement Kit

The UK's only tie bar replacement kit (TBRK) replaces a tie bar to deliver an uninterrupted ceiling.

For instances where a tie bar must still be used, choose either a tie bar or stylish tie wire.

ultraframetrade.co.uk

Bar Suite



Transom bar



Hip bar



Starter bar

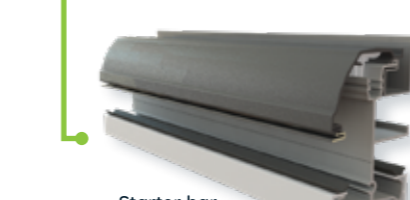
PVCu Cappings



Transom bar



Hip bar



Starter bar

Aluminium Cappings

Colours

Available in 8 standard foil colours or any bespoke colour.



Speedlock

The patented speedlock at the ridge ends accommodates complex variations in roof pitch.

- Protects against extreme weather
- Easy to install
- Guarantees a quality fit every time



Slimline Ridge

Extremely neat ridge end for better sightlines and a modern look.

- Triple layer stormshield
- High performance thermal break
- Aluminium external finish
- No bulky radius end
- Available on 25° pitch roofs
- Compatible with Georgian and double Georgian roofs

Improve your conversion rate and margin with a wide choice of decorative and structural ancillaries.

Super Insulated Columns



Eliminate brickwork and mess during installation

Five times more thermally efficient than brick pillars

Plastered on the inside

Internal Pelmet

Delivers the look and feel of a room or extension.

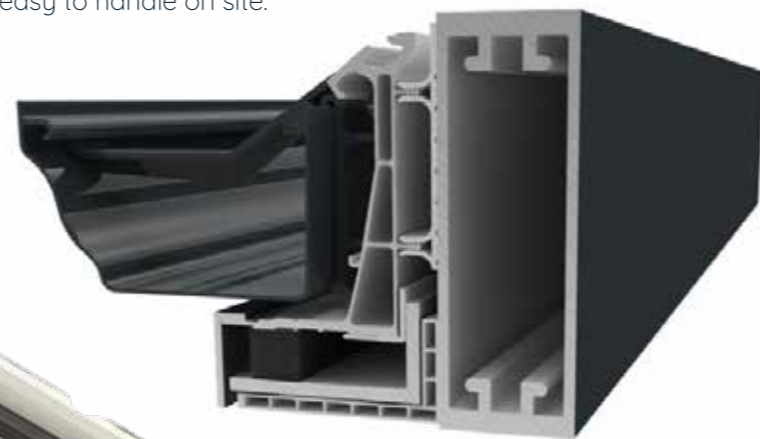
- Variable widths from 300mm to 1200mm
- Add earthwool to boost insulation
- Heatguard panel and ventilation prevent heat build up
- Provides a space for lights or cables



Goalpost

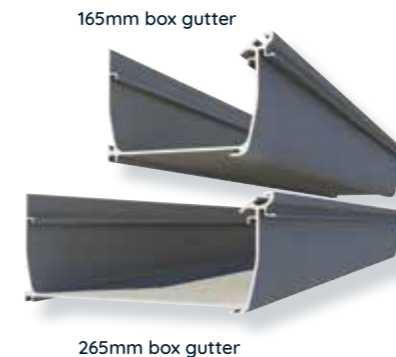
Create openings for sliding doors in excess of 10m without the need for costly steels.

Lightweight beams, posts, spreader and wall plates link together to form a lightweight goalpost system that is easy to handle on site.



Box Gutters

Find the right box gutter for your job with a choice of solutions. Custom designs are also available.



Cornice

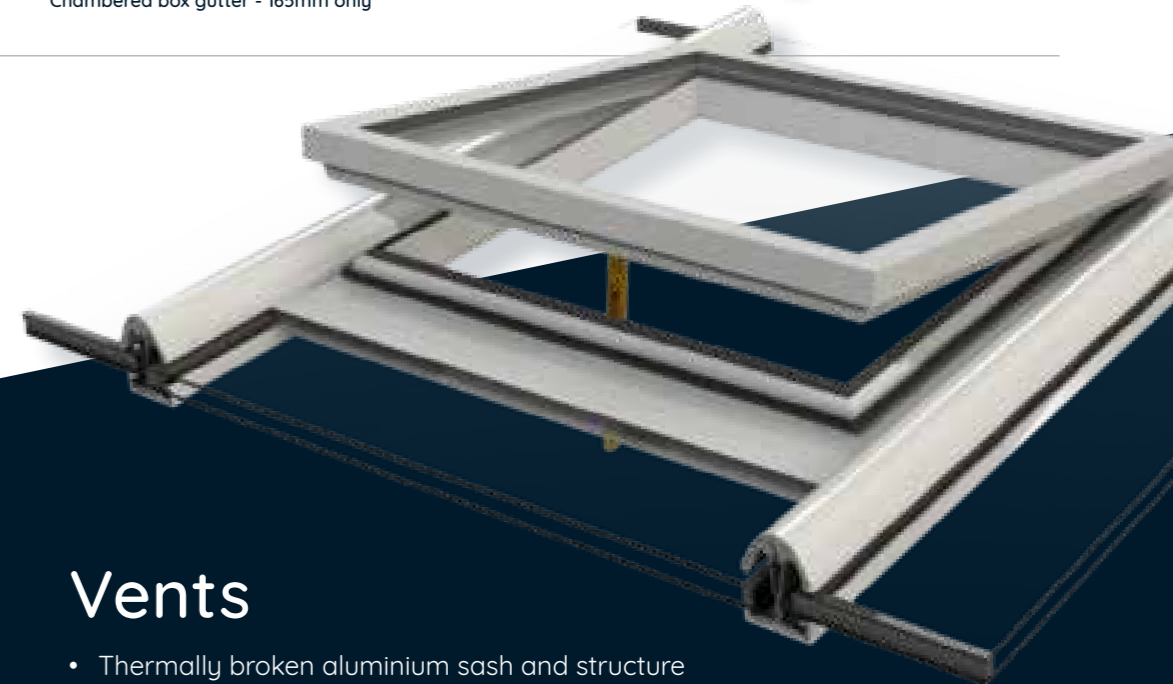
An aluminium Cornice hides the gutter and end caps, adding style and shape to the roofline.

Choose from a wide range of Cornice designs to suit the proportions and style of each project.



Vents

- Thermally broken aluminium sash and structure
- Dry fit product - no silicone needed
- PVCu welded frame to eliminate leaks
- EPDM glazing seals as standard
- Suitable for 24mm glass units/25mm polycarbonate
- Choose from manual, automatic or remote control options
- Tested to BS5368 Parts 1 & 2; BS6375 Part 1 2009



Livinroof

Livinroof combines solid roof panels and shaped glazing to create stunning roof designs in any shape or size.

U-Values of 0.15 or 0.12 w/m²K available

Any shape or size

Patented adjustable speedlock

Fully fire tested

Lightweight - only 31kg/m²

Pitches from 5° to 40.9°

Shaped glazing included

Choose aluminium or U-tec panels



Livinroof[®]
By Ultraframe



Building Regulation Compliant: Livinroof is fully Building Regulation compliant and has JHA1 and Assent system approval to minimise red tape.



- U-Values of 0.15 or 0.12 w/m²K available
- The lightest tiled roof - only 38kg/m²
- Spans up to 4m for large doors
- Engineered to postcode
- Full length glass panels. No tie bar required
- Pre-cut tile panels for a fast fit
- Lightweight tiles available in grey, brown or terra brick
- Optional curved Cornice
- Fully fire-tested

Ultrarroof

Ultrarroof is a tiled roof preferred by 8 out of 10 homeowners vs leading competitors. Click fit Ultrapanel make it the perfect companion to hup! walls.



Flat Roof

The Flat Roof system from Ultraframe is pre-manufactured for fast on site assembly. Save days vs a traditional flat roof construction.

Fully Building Regulation compliant

U-Value of 0.12 w/m²K

Building Regulations pre-approved by Assent and JHAI

Unsupported spans of up to 5.6m

Includes rooflights - one roof, one order

Pre-manufactured for a hassle and mess free build



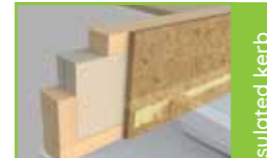
Flatroof

By Ultraframe



OSB deck

Pre-cut tongue and groove OSB provides an even surface for the roof covering



Insulated kerb

Building Regulation compliant kerb for lanterns and skylights



Soffit options

Choose a standard soffit of 36mm or the extended 240mm soffit



Fascia

Choose from 4 attractive fascia designs



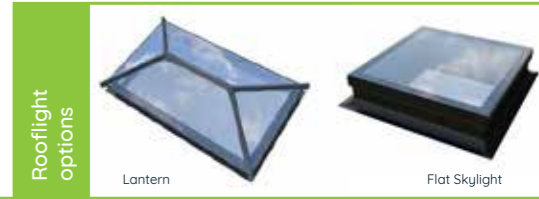
Insulated Ultrapanel

BBA approved technology forms a super-strong i-beam structure and insulates the roof



Vapour control layer

Prevents condensation and moisture build up within the roof structure



Rooflight options

Lantern Flat Skylight

Available with a choice of lanterns or flat skylights



Intermediate insulation

Earthwool provides increased thermal performance to a low 0.12 U-Value overall



Adjustable pitchlocks

Simple to use, pitchlocks ensure water drains from the roof



Insulated ring beam

The lightweight beam does not require heavy lifting equipment



Large doors

The Flat Roof is strong enough to span up to 5.6m above bi-fold or sliding doors

Building Regulation Compliant: Flat Roof is fully Building Regulation compliant and has JHAI and Assent system approval to minimise red tape.



Less bars for better views

High performance thermal breaks

Sizes up to 4m x 5.8m

Choice of performance glazing options

Triple layer storm-shield protection

Installed in minutes, easy to glaze

PVCu or aluminium - any RAL colour

Ultraskey Lantern

With fewer bars than other roof lanterns, the Ultraskey Lantern is perfect for extensions or orangeries with a flat roof.



Ultraskey[®]

LANTERN by Ultraframe



Stormshield

Triple layer protection at the ridge end, with glazing compression trims, a weathering shield and a secure fit cover



Neat ridge ends

Neat ridge ends - less bulky vs traditional conservatories. Less material - more light



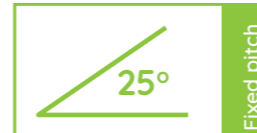
Strong ridge

Super strong ridge reduces the amount of bars needed and can allow lanterns up to 4m wide x 5.85m long



Thermally broken

Thermal breaks in the ridge and bars reduce the risk of condensation



Fixed pitch

25° degree fixed pitch - draws the maximum amount of light into the room below



Glazing stops

Robust glazing supports prevent glass slippage



Neat finish

Less bars create a neat, slim lantern look from the inside



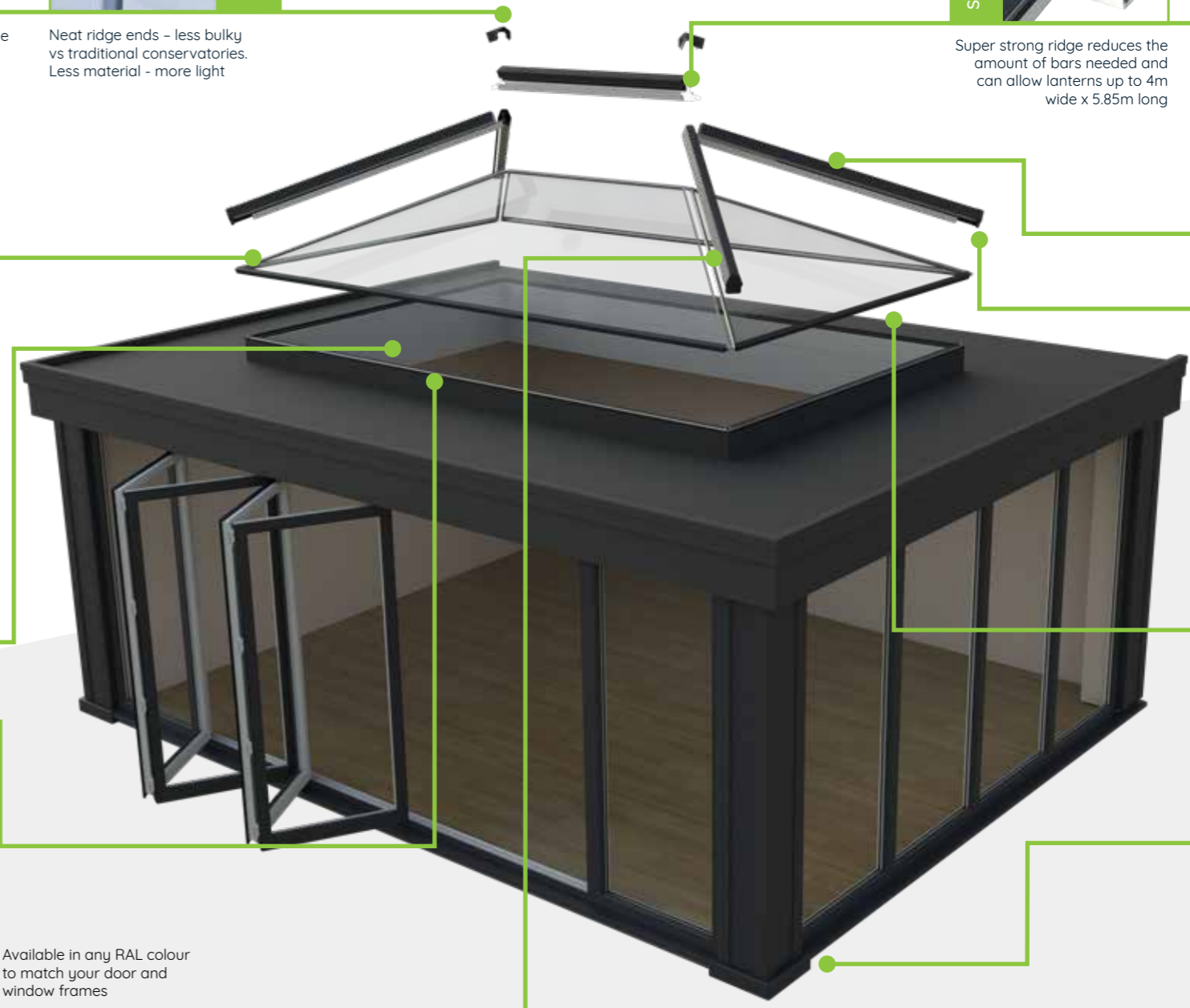
Insulated eaves

Thermally clad eaves rail



RAL colour

Available in any RAL colour to match your door and window frames



Top-caps

Thermally isolating top-caps



End caps

Secure-fit end caps provide a thermal barrier



Glazing options

Choose from a wide range of performance glass options



Columns

Stylish aluminium super-insulated columns add glamour and thermal performance to any orangery design

Stratus Lantern

An innovative, thermally broken system, the Stratus Lantern provides excellent thermal performance while delivering the architectural refinement you'd expect of a high end lantern system.

Up to 65% better thermal performance

66% smaller ridge

Hard wearing aluminium exterior

Quick and easy to install

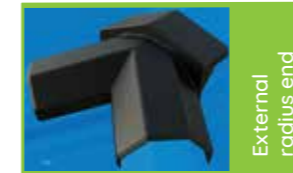
Any RAL colour

Sizes from 600 x 600 up to 6000 x 3000

Available in PVCu or aluminium



stratus[®]
thermal lantern roof



External radius end

Hard-wearing premium architectural powder coated aluminium



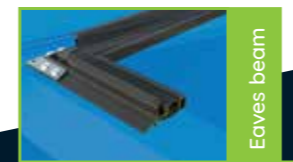
Internal radius end

Ultra slim for minimalist design and a neat internal finish



Fixed pitch

20° degree fixed pitch – draws the maximum amount of light into the room below



Eaves beam

Cleated strong aluminium, polyamide thermal break eaves beam for no cold transfer



RAL colour

Available in any RAL colour to match your door and window frames



Ridge

Hard wearing aluminium ridge with a polyamide thermal break allows for sizes up to 3m x 6m



Top-caps

Ultra slim powder coated aluminium external cappings



End caps

Hard wearing aluminium powder coated end caps



Glazing options

Choose from a wide range of high performance glazing options



Glazing bars

Strong and secure slim glazing bars with a polyamide thermal break for maximum sightlines

- Fully insulated frame
- Frameless glass for a premium look
- Click-fit frame for fast installation
- Available in clear or blue glass
- Up to 34dB noise reduction
- Grey, black & white as standard or any RAL colour

Flat Skylight

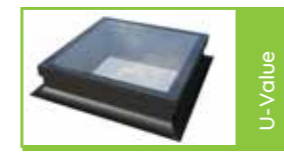
Ultrasky Flat Skylight's frameless glass maximises light into the room below. The fully insulated click-fit frame provides both thermal efficiency and an easy installation.



Ultrasky[®]
SKYLIGHT by Ultraframe



Glass
Frameless edge-to-edge glass for a minimalist design



U-Value
With a U-Value of 0.12, the flat skylight exceeds Building Regulation requirements



Timber kerb
Can be used with a timber kerb



Plasterboard
Finished internally with fineline plasterboard trim to ensure a neat finish



Noise reducing
Noise reducing glass, available in blue or clear glass



Click-fit frames
Click-fit secure aluminium frame for a perfect fit, every time



Insulated core
Fully insulated core with 'Warmframe' technology, helps prevent condensation



Frameless
No frame internally for maximum light and better views



The Building Revolution

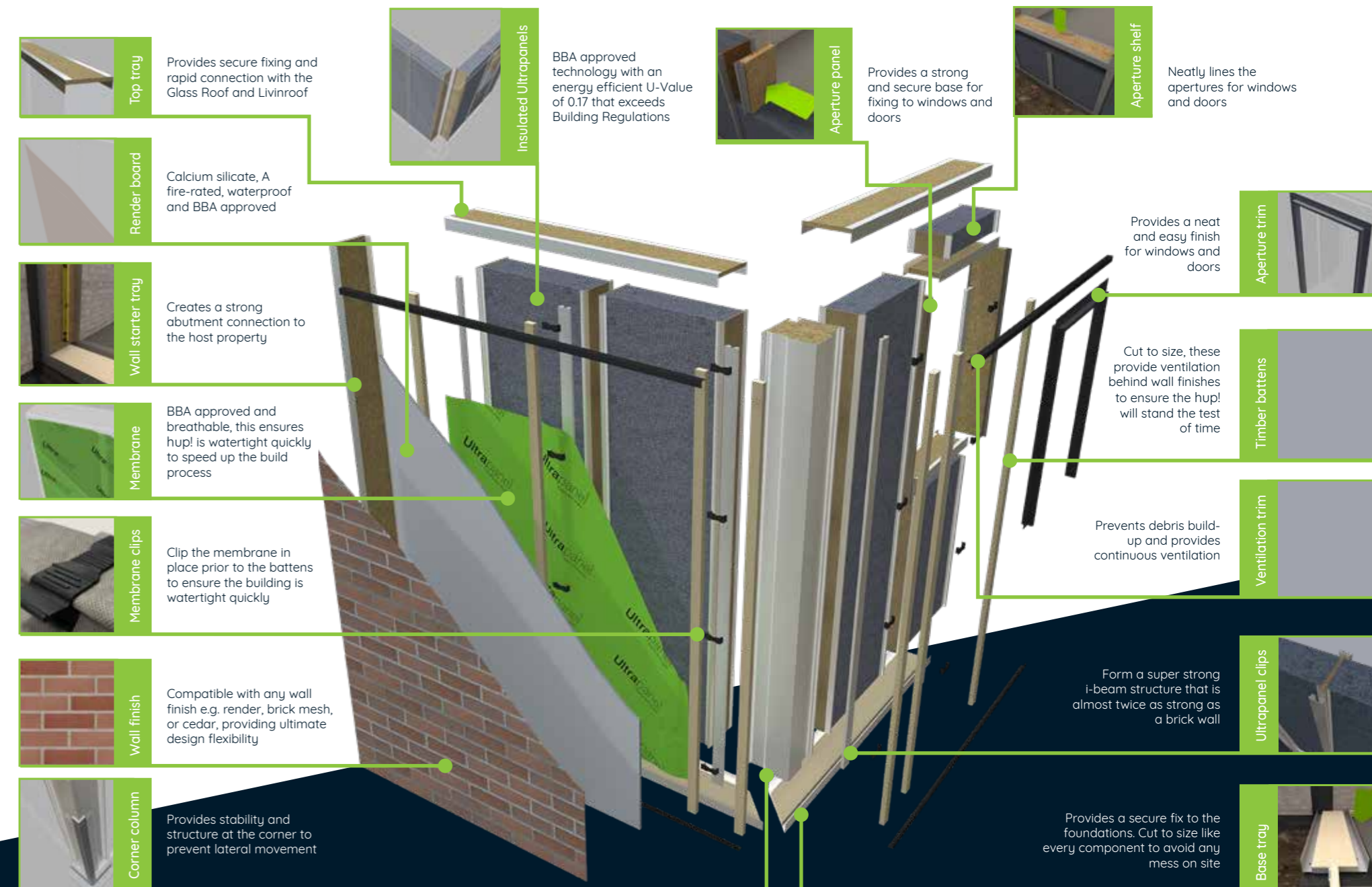
hup! is the revolutionary new way to build extensions, conservatories, and conservatory conversions.

hup! uses highly energy efficient and BBA approved Ultrapanel in place of traditional brick walls and timber roofs. Five times more energy efficient than the average UK home, the lightweight nature of the hup! system makes it ideal for building on existing conservatory bases.

Rapid and fast to assemble on site, hup! extensions can be built five times faster than a brick extension and a conservatory can be converted into an extension in just a few days. The hup! building system is designed to be used with all Ultraframe roofing systems.



hup!
The better way to build



Building Regulation Compliant: hup! is fully Building Regulation compliant and has JHAI and Assent system approval to minimise red tape.



hup! Conservatory Conversion



From waste of space to dream place

This build went from an unloved, outdated conservatory to a stunning modern extension in a matter of days, despite torrential rain which would have stopped a traditional build in its tracks.

A roof replacement is no longer the only option for homeowners with an outdated conservatory. Using the hup! building system, far more can be offered to the homeowner - completely change the appearance, create solidity, transform the energy efficiency and add value - all in a similar timeframe to replacing the roof.

“Now that I’ve discovered hup! I can’t wait to ditch my trowel!”

It’s taken our small team a day and a half to get the walls and roof up. We’ve recently done a job like this in bricks & mortar which took us 3-4 weeks whereas this took only 3-4 days. As a team we’ve been really surprised with how quick the hup! system is - a lot quicker than doing a traditional extension.”

Grant Procter - hup! Installer



Day 1



Day 2



Day 3



Day 4

hup!

The better way to build

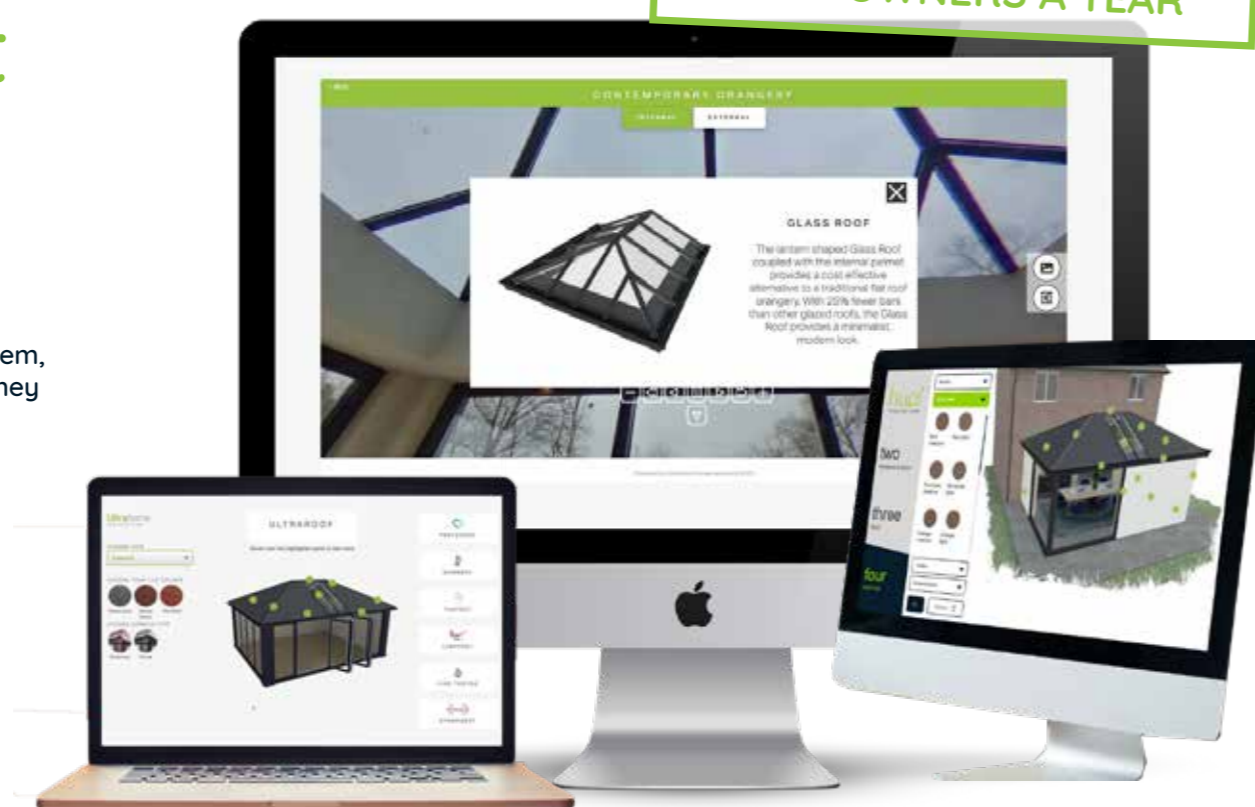
Marketing Support

Marketingsupport@ultraframe.co.uk
01200 452 919

Digital Samples

High-tech digital samples are available for each Ultraframe system, allowing customers to explore every detail of a roof system as they would if handling a physical sample.

- Free to use platform
- Any device, any location
- Use in the home, showroom or on your website
- Saves space in showroom & car boot
- 360° rotation view with explanations of features and benefits
- Customisable with your own branding
- Digital selling aids for fabricators, installers and retailers



USED BY HALF A MILLION HOMEOWNERS A YEAR



Interactive Digital Content

Stand out from the competition

- Configurator - This free tool allows your customers to design their new space
- Online proposals - Easily create compelling digital proposals to send to homeowners
- Quoting engine - Drive sales and increase leads 24/7
- White label websites - Bring your ideas to life and deliver your objectives through custom built websites
- Virtual tours - Redefine your selling experience with our virtual reality tours



Cuckoo

Ultraframe's online marketing platform to help you:

- Design your own marketing and advertising campaigns
- Customise brochures, print ads, digital ads, emails, videos and more
- Order standard brochures, samples, videos, technical and installation guides

Ultra Installer Scheme



Take your business to the next level.

Join our Ultra Installer Scheme and benefit from high quality, low cost sales leads, enhanced technical support and exclusive marketing tools.

COST PER LEAD AS LOW AS £1.55 WITH OVER 92,000 LEADS GENERATED SINCE 2015

Online Image Library

Free to use image library with over 2000 professional images.

Download photographs and CGIs of Ultraframe living spaces, technical images, content for social media and so much more.



Samples

A range of physical samples are available for each Ultraframe system to use alongside the digital samples.

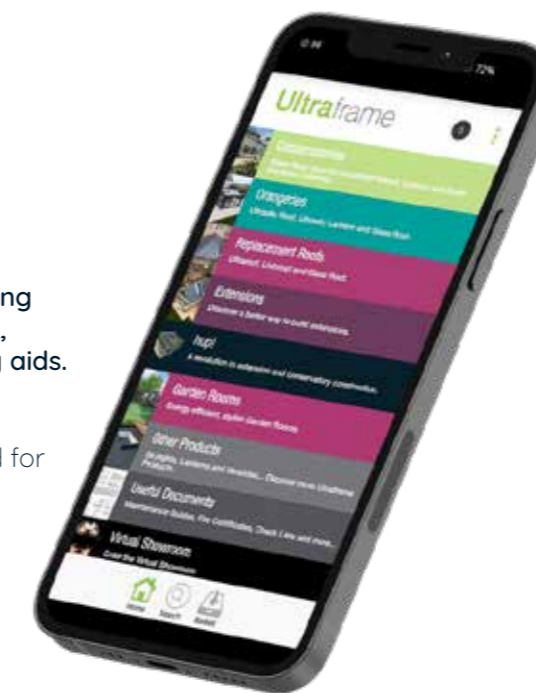
Samples are available to order via Cuckoo.



Sales App

Easy access to all of our selling tools including presentations, brochures, videos and selling aids.

Use it in the showroom or customers home with no need for an internet connection.



Technical Support

Ultraframe has many technical resources on hand to help you with specifying and installing our products. Scan the QR codes for more information on our products and services.



Our site support team can attend site for your first installation to provide advice and guidance on your project and will be there to ensure the installation process is followed correctly.



Our dedicated technical team are well versed in offering comprehensive technical support across our installer network. They are on hand for you to ask any questions or queries.

01200 452 918
WhatsApp: 07595 192514
techsupport@ultraframe.co.uk



We have a library of technical guides and installation guides and a video library with technical and installation videos to help you on or off site.



We believe in providing you with the highest level of sales, technical and installation training to ensure that you are confident and have the ability to sell and install our roofing systems to the highest standards.



The Ultraframe Installer App is specifically designed to provide you and your business with information that you need to design, survey and install Ultraframe systems. Search for 'Ultraframe' in the App Store or Google Play and download for free today.



Ultraframe have partnered with JHAI and Assent Building Control to allow you to submit Building Regulation applications to a single approved inspector for conservatory roof replacement and conservatory refurbishment projects.



Our FAQ's section is loaded with easy to search questions and answers and should be your first port of call for any technical product queries.



