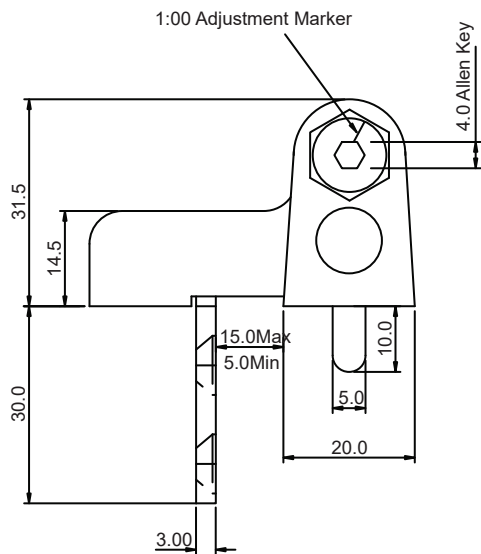
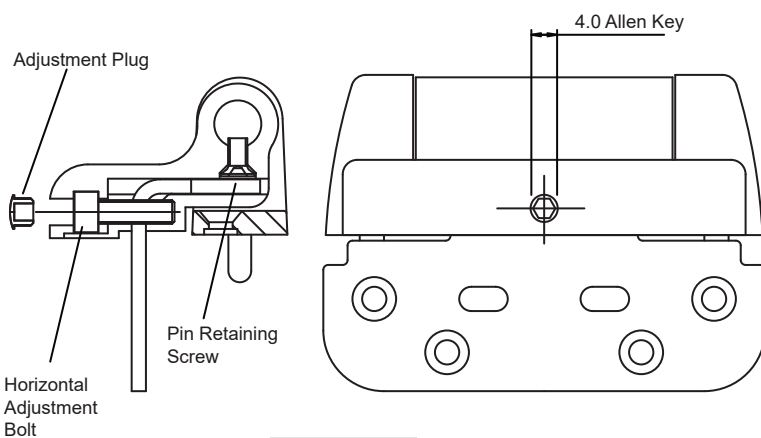


Haven HD Hinge Adjustment Details



Compression Adjustment

The factory setting of the compression pin should be set to 1:00 o'clock as shown opposite. This is adjustable by using a 4mm Allen Key and turning either clockwise or anti-clockwise to achieve +/- 2mm of Compression Adjustment. The pin is located within a socket and will have to be removed slightly to enable turning.



Horizontal Adjustment

Horizontal Adjustment is achieved using a 4mm Allen Key on the Horizontal adjustment bolt, positioned as shown opposite. The Adjustment Plug may have to be removed. Please ensure that the Pin Retaining Screw, added for security, is tightened fully to allow the bracket to move forwards/backwards easily. Replace the adjustment plug after adjustment is complete.